

Actual4Labs

Pass Your Next Certification Exam Fast!

Everything you need to prepare, learn & pass your certification exam easily.

Login / Register

Shopping Cart (0)

Search...



Online Test Engine

Instant Online Access, Test History and Performance Review, Supports Windows / Mac / Android / iOS, etc. →

Desktop Test Engine

Installable Software Application, Simulates Real Exam Environment, Supports MS Operating System, Practice Offline Anytime. →

PDF Format

Printable PDF Format, Prepared by IT Experts, Study Anywhere, Anytime, Free PDF Demo Available. →

Choose the version that fits your needs	PDF Version	Desktop Test Engine	Online Test Engine
Latest and Up-to-Date exam dumps with real exam questions answers.	✓	✓	✓
Get 12-Months free updates without any extra charges.	✓	✓	✓
Experience same exam environment before appearing in the certification exam.	✗	✓	✓
100% exam passing guarante in the first attempt.	✓	✓	✓
20% discount on more than one license and 30% discount on 5+ license purchases.	✗	✓	✓
100% secure purchase on SSL.	✓	✓	✓
Completely private purchase without sharing your personal info with anyone.	✓	✓	✓

<http://www.actual4labs.com>

Excellent Quality Exam Dumps Questions Never Let You down -
Actual4Labs

Exam : **NS0-591**

Title : NetApp Certified Support
Engineer, ONTAP Specialist

Vendor : Network Appliance

Version : DEMO

NO.1 A customer called you after a failure in their Microsoft Hyper-V environment on the "SVM1" SVM. The customer wants to enable nondisruptive operations (NDO) to prevent future failures. In this scenario, which two actions must be performed? (Choose two.)

- A. Verify that SMB2 is enabled.
- B. Verify that the branchcache option is set on the CIFS share.
- C. Verify that SMB3 is enabled.
- D. Verify that the continuously-available option is set on the CIFS share.

Answer: A,D

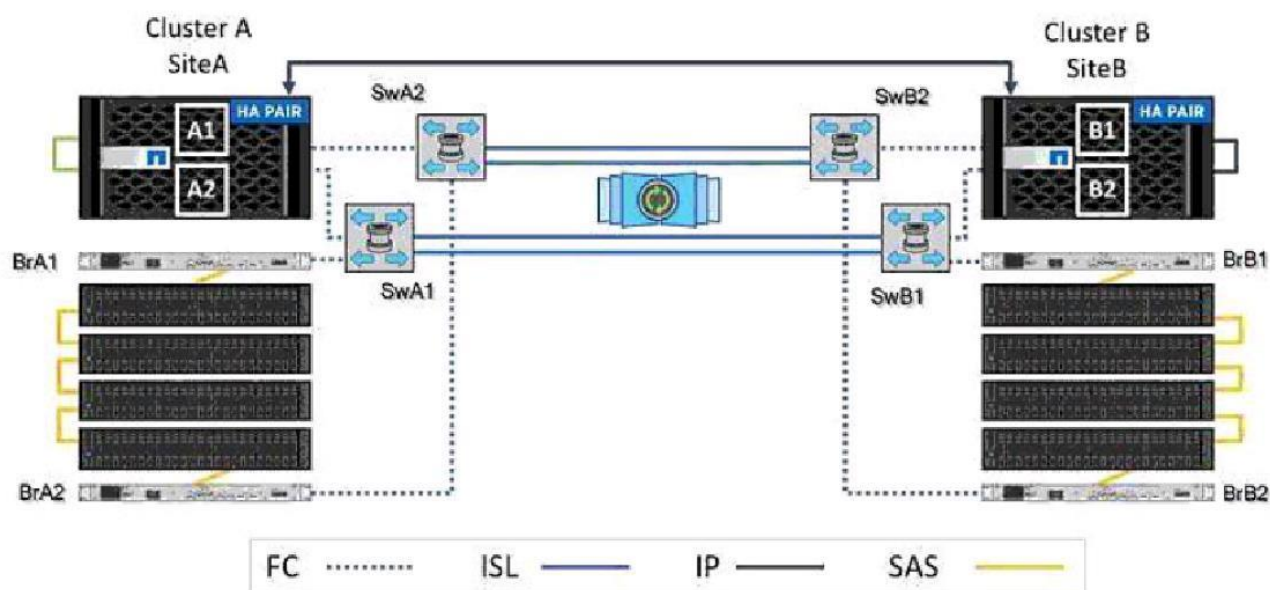
NO.2 End users are complaining of high latency when accessing an ONTAP cluster.

Which command helps you to determine whether there is a storage component that is contributing to this problem?

- A. `sysstat -c 30 -M 1`
- B. `qos statistics performance show`
- C. `waflltop show -v -cpu -l 10 -c 5-n 6`
- D. `qos statistics latency show`

Answer: B

NO.3 Click the exhibit button.



You are investigating an AutoSupport Disk Redundancy Failed alert. Cluster A lost connectivity to storage bridge BrB1, while cluster B lost connectivity to storage bridge BrA1.

Referring to the exhibit, which three components need investigation? (Choose three.)

- A. FC switch SwA1
- B. ISL cables
- C. storage bridges BrB1
- D. FC switch SwB1
- E. FC switch SwA2

Answer: A,B,D

NO.4 Click the exhibit button.

```
Cluster:::> vserver services name-service ns-switch show -vserver vs1
```

Vserver	Database	Source	Order
vs1	hosts	files,	dns
vs1	group	files,	ldap
vs1	passwd	files,	ldap
vs1	netgroup	files	
vs1	namemap	files	

5 entries were displayed.

```
Cluster::*> vserver services name-service ldap show
```

Vserver	Client Configuration
vs1	ad

A customer has the ns-switch shown in the exhibit.

Which two statements are true in this scenario? (Choose two.)

- A.** Groups can be looked up both in the local database and in LDAP.
- B.** Host names are always resolved using the configured DNS server.
- C.** User mapping decisions are always based on the LDAP configuration.
- D.** User names not present in the local database are looked up in LDAP.

Answer: A,B

NO.5 Click the exhibit button.

```
ONTAP_CLUSTER:::> vserver cifs create -cifs-server svm1 -domain example.com -ou OU=Secure
```

In order to create an Active Directory machine account for the CIFS server, you must supply the name and password of a Windows account with sufficient privileges to add computers to the "OU=Secure" container within the "EXAMPLE.COM" domain.

```
Enter the user name: administrator
```

```
Enter the password:
```

```
Error: Machine account creation procedure failed
[ 61] Loaded the preliminary configuration.
[ 64] Successfully connected to ip 10.216.29.40, port 88 using
TCP
[ 71] Requested service not found in Active Directory
(KRB5KDC_ERR_S_PRINCIPAL_UNKNOWN)
[ 71] Failed to initiate Kerberos authentication. Trying NTLM.
[ 72] Successfully connected to ip 10.216.29.40, port 389 using
TCP
**[ 77] FAILURE: Specified OU 'OU=Secure' does not exist in
** EXAMPLE.COM
```

```
Error: command failed: Failed to create the Active Directory machine account "SVM1". Reason:
SecD Error: ou not found.
```

The storage administrator for the company example.com is attempting to join an SVM to their Active Directory as SVM1. The computer account must also be joined to the Secure organizational unit. Attempts to perform this action using the CLI fail with the error message shown in the exhibit. What is the reason for this error?

- A.** The administrator account password used in vserver cifs create was not entered correctly.
- B.** The requested OU Secure has incorrect principal and errored with KRB5KDC_ERR_S_PRINCIPAL_UNKNOWN.
- C.** The syntax is incorrect; it should be vserver cifs create -cifs-server svm1 -domain example.com -ou

ou=Secure, dc=example, dc=com.

D. The requested OU Secure does not exist in the Active Directory and must be created by the Active Directory administrator.

Answer: B