

Actual4Labs

Pass Your Next Certification Exam Fast!

Everything you need to prepare, learn & pass your certification exam easily.

Login / Register

Shopping Cart (0)

Search...



Online Test Engine

Instant Online Access, Test History and Performance Review, Supports Windows / Mac / Android / iOS, etc. →

Desktop Test Engine

Installable Software Application, Simulates Real Exam Environment, Supports MS Operating System, Practice Offline Anytime. →

PDF Format

Printable PDF Format, Prepared by IT Experts, Study Anywhere, Anytime, Free PDF Demo Available. →

Choose the version that fits your needs	PDF Version	Desktop Test Engine	Online Test Engine
Latest and Up-to-Date exam dumps with real exam questions answers.	✓	✓	✓
Get 12-Months free updates without any extra charges.	✓	✓	✓
Experience same exam environment before appearing in the certification exam.	✗	✓	✓
100% exam passing guarantee in the first attempt.	✓	✓	✓
20% discount on more than one license and 30% discount on 5+ license purchases.	✗	✓	✓
100% secure purchase on SSL.	✓	✓	✓
Completely private purchase without sharing your personal info with anyone.	✓	✓	✓

<http://www.actual4labs.com>

Excellent Quality Exam Dumps Questions Never Let You down -
Actual4Labs

Exam : 642-061

Title : Routing and Switching Solutions for System Engineers

Vendors : Cisco

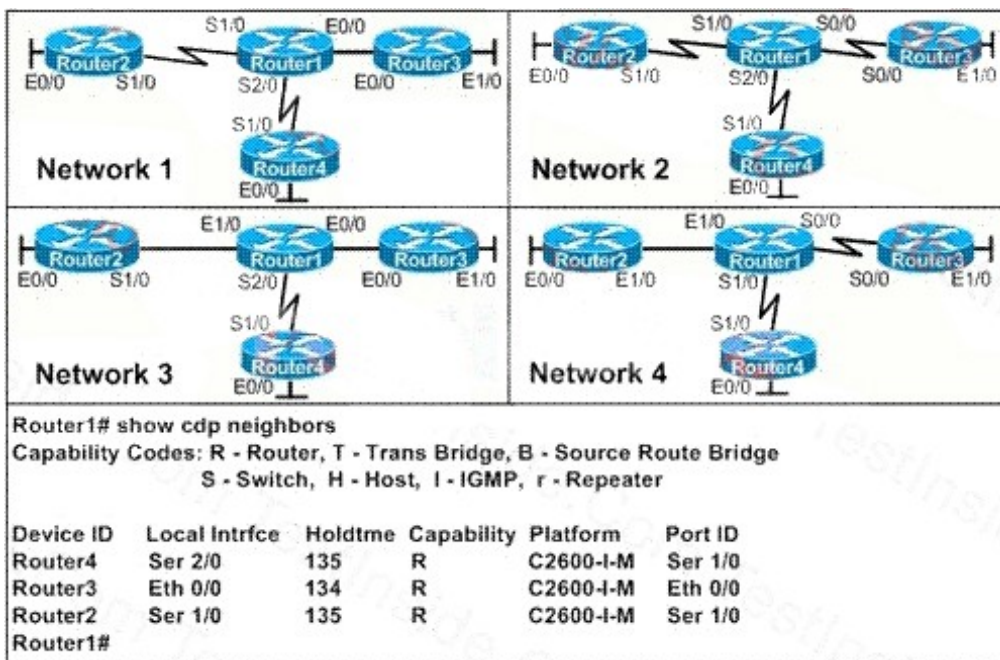
Version : DEMO

1. Which two types of mechanisms can be used to provide loadbalancing across parallel links in a redundant campus network? (Choose two.)

- A. QoS
- B. HSRP
- C. VRRP
- D. 802.1Q
- E. EtherChannel link aggregation
- F. Cisco Express Forwarding load balancing

Answer: EF

2. Refer to the exhibit.



Which network is characterized by the output from the show cdp neighbors command?

- A. Network1
- B. Network 2
- C. Network 3
- D. Network4

Answer: A

3. You have been given a contract to redesign a customer's network in order to provide support for emerging technologies like VoIP and video services. In order to more effectively identify this customer's needs, you would like to analyze the traffic in its existing network. Which two tools in Cisco IOS can you use to perform this analysis? (Choose two.)

- A. RMON probes
- B. NBAR
- C. access control lists
- D. NetFlow
- E. embedded device manager

Answer: BD

4. You have been given a contract to consolidate the Cisco Catalysts 6500 services available at the headquarters office of Acme Enterprises. The Acme Enterprises management team wants to deploy application infrastructure control, security, and simplicity in design. Which Cisco Catalyst service module should you recommend?

- A. IDS module
- B. Content Services Module with SSL
- C. Network Analysis Module
- D. Anomaly Guard Module
- E. ACE module

Answer: E

5. Which supervisor module can be used in the Cisco Catalyst 4510R chassis?

- A. Supervisor II-Plus
- B. Supervisor IV
- C. Supervisor V-10GE
- D. Supervisor II-TS

Answer: C

6. The servers belonging to your customer were recently infected with the Blaster virus. Which Cisco product will help prevent this kind of virus propagation?

- A. CSA
- B. PIX
- C. CUE
- D. CME

Answer: A

7. What are the two main benefits of using VSANs as opposed to zoning? (Choose two.)

- A. increased capacity
- B. increased availability
- C. increased performance
- D. increased geographical reach
- E. increased manageability and scalability

Answer: BE

8. What queue-scheduling algorithm does the Optical Services Module PXF use to provide QoS features?

- A. FIFO
- B. Modified Deficit
- C. Weighted Round Robin
- D. Versatile Traffic Management Services

Answer: D

9. Which three of these are features of the Cisco Catalyst 4900 Series Switches? (Choose three.)

- A. one RUB. stackable
- C. fixed configuration

- D. Power over Ethernet
- E. redundant power supplies
- F. Layer 2 through Layer 7 switching capabilities

Answer: ACE

10. Which Cisco Catalyst 6500 Series Switch supervisor module should you select in order to allow service providers to deploy MPLS and achieve high throughput?

- A. Supervisor 32
- B. Supervisor 720
- C. Supervisor 1A D. Supervisor 2

Answer: B